

RATIO CONTROLLER



TECHNICAL DATA :

MODEL	RC-B Bronze material RC-S Stainless steel material	
SIZE	80,100,150 and 200 NB	
MAX. SERVICE PRESSURE	14 Bar (200 PSI)	
FLOW	SIZE	FLOW
	80NB	270 to 3000LPM
	100NB	650 to 5700LPM
	150NB	1200 to 9500LPM
	200NB	3200 to 18500LPM
FACTORY HYDROSTATIC TEST PRESSURE	25 Bar.(365 PSI)	
MINIMUM WORKING PRESSURE	3.0Kg/sq.cm. (45 PSI)	
FLANGE CONNECTION	ANSI B16.5 - 150# for SS ANSI B16.24 - 150# for Bronze	
FOAM CONCENTRATE PROPORTIONING ORIFICE	3% or 6%	
FINISH	Epoxy Red Painted	
ORDERING INFORMATION	Please specify : a) Model b) Minimum and Maximum Pressure and flow rate c) Induction Percentage d) Type of Foam Concentrate used e) Flange Connection	

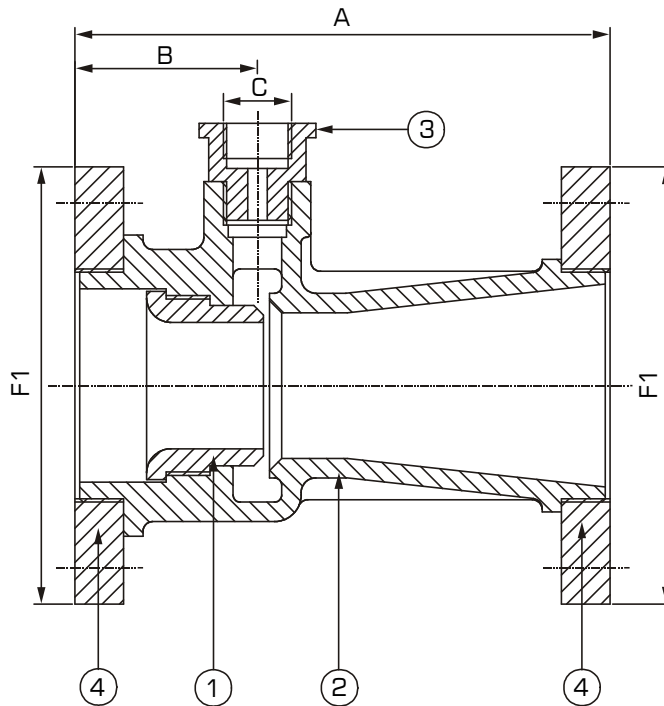


APPLICATION

The Ratio Controller is used for proportioning the foam concentrate into the water supply with a wide range of flow and pressure. The Ratio Controller is also used with the Bladder proportioning system, inline balance proportioning system and Skid mounted pump balance proportioning system.

SPECIFICATION

The Ratio Controller works on venturi principle. As the water flow passes through a nozzle at the inlet of a ratio controller, a low-pressure area is created between inlet nozzle and the down stream section called diffuser. This low-pressure area causes the foam concentrate to flow through a metering orifice at the concentrate inlet and into the low-pressure area. As the system demand varies, the water jet through the Ratio Controller increase or decreases, which in turn varies the pressure at the low-pressure area of the Ratio Controller. This affect the corresponding pressure across the foam concentrate-metering orifice. The system requires same pressure of water and concentrate to balance the proportioning system. The diaphragm valve maintains equal pressure of the water and the foam concentrate.



MATERIAL OF CONSTRUCTION

SR.NO.	DESCRIPTION	MATERIAL MODEL RC-B
1	NOZZLE	BRONZE IS:318 / ASTM B62
2	HOUSING	BRONZE IS:318 / ASTM B62
3	CONNECTOR	BRONZE IS:318 / ASTM B62
4	FLANGE	BRONZE IS:318 / ASTM B62

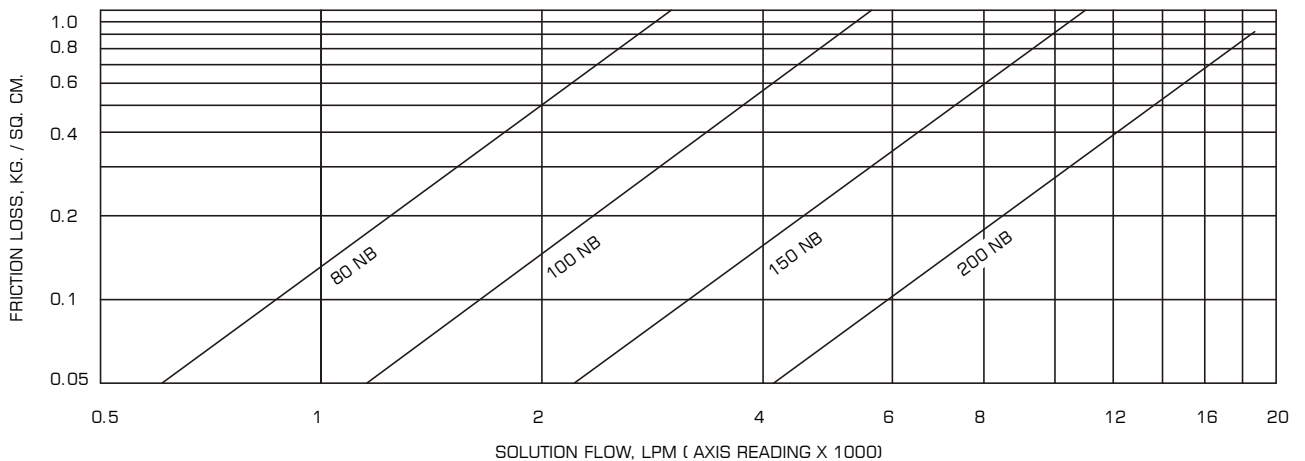
SR.NO.	DESCRIPTION	MATERIAL MODEL RC-S
1	NOZZLE	ASTM A351 - CF8 (304)
2	HOUSING	ASTM A351 - CF8 (304)
3	CONNECTOR	ASTM A351 - CF8 (304)
4	FLANGE	ASTM A351 - CF8 (304)

DIMENSION in millimetre (Approximate)

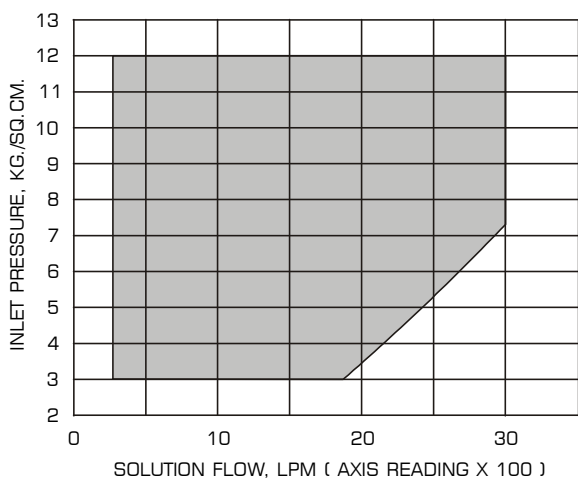
SIZE	A	B	C
80 NB	192	83	1½" BSP
100 NB	266	90	1½" BSP
150 NB	332	105	2" BSP
200 NB	342	111	2" BSP

Dimension of Inlet / Outlet Flanges (F1) is as per ANSI B16.5 for SS and ANSI B 16.24 for bronze.

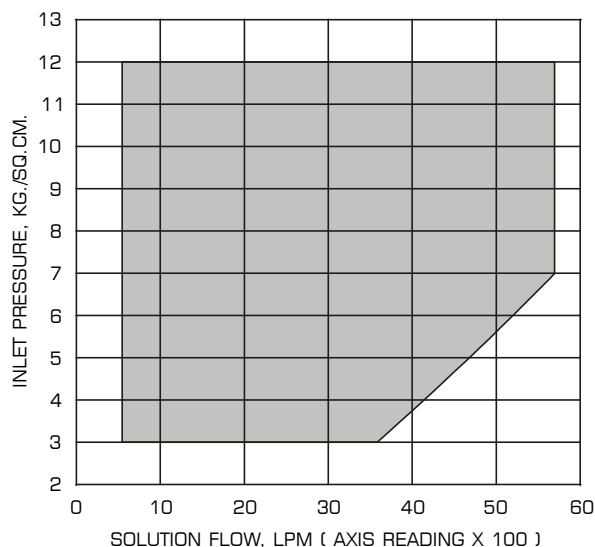
FLOW VS PRESSURE LOSS



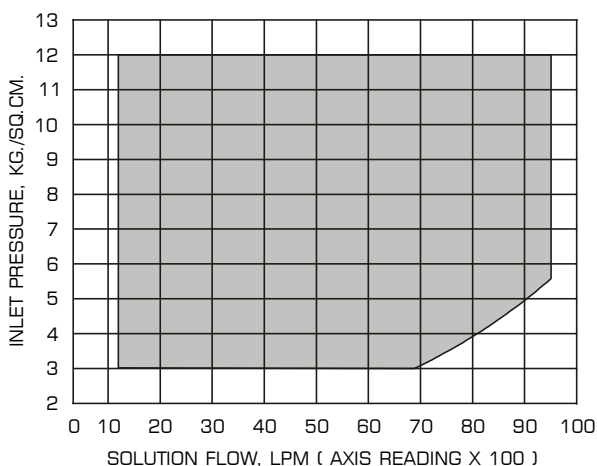
PRESSURE VS FLOW CHARACTERISTICS



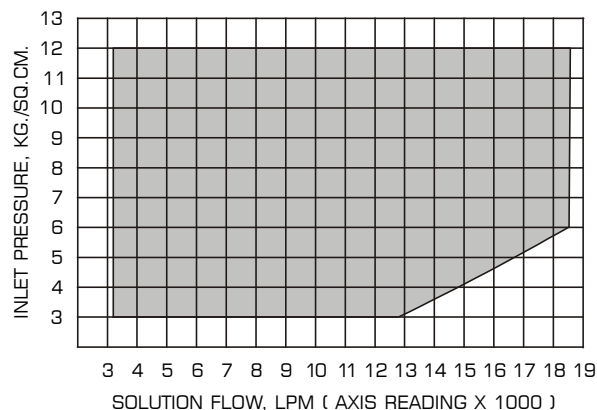
SIZE 80NB



SIZE 100NB



SIZE 150NB



SIZE 200NB

LIMITED WARRANTY

Products manufactured by HD FIRE PROTECT PVT.LTD.. are warranted against defects in material and workmanship for a period of Two (2) years from the date of shipment.

HD's obligation under this warranty is limited to replace or repair the products or its parts, which are shown to HD's examination to be in a defective condition attributable to HD. No warranty is given for products or components which have been subject, to misuse, improper installation, corrosion, wear and tear, improper storage, modification or repaired. If the defect attributable to HD cannot be rectified by repair or replacement, then HD may elect to refund the purchase price of the equipment in complete discharge of its obligation under this Limited Warranty.

IN NO EVENT SHALL HD FIRE PROTECT PVT. LTD. BE LIABLE IN CONTRACT, STRICT LIABILITY OR ANY OTHER LEGAL THEORY, FOR INCIDENTAL, IN-DIRECT, SPECIAL OR CONSEQUENTIAL DAMAGES, INCLUDING DAMAGES. FOR INJURY TO PERSON OR DEATH OR DAMAGE TO PROPERTY AND OR PENALTIES RESULTING FROM ANY PRODUCTS OR COMPONENT MANUFACTURED OR ASSEMBLED BY HD. THIS IS LIMITED WARRANTY ONLY. HD DISCLAIMS WITH RESPECT TO THE PRODUCTS ALL IMPLIED WARRANTIES OF MERCHANTABILITY AND ALL IMPLIED WARRANTIES OF FITNESS FOR A PARTICULAR PURPOSE. THERE IS NO WARRANTY OF ANY NATURE MADE BY HD BEYOND AS STATED ABOVE.

NOTICE :

The equipment presented in this bulletin is to be installed in accordance with the latest publication standards of NFPA or other similar organisations and also with the provision of government codes or ordinances wherever applicable.

The information provided by us are to the best of our knowledge and belief, and are general guidelines only. Site handling and installation control is beyond our reach. Hence we give no guarantee for result and take no liability for damages, loss or penalties whatsoever, resulting from our suggestion, information, recommendation or damages due to our product.

Product development is a continuous programme of HD FIRE PROTECT PVT. LTD. and hence the right to modify any specification without prior notice is reserved with the company.