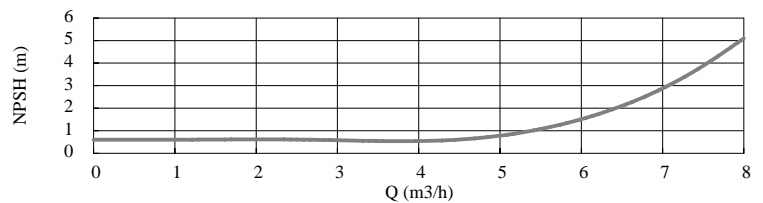
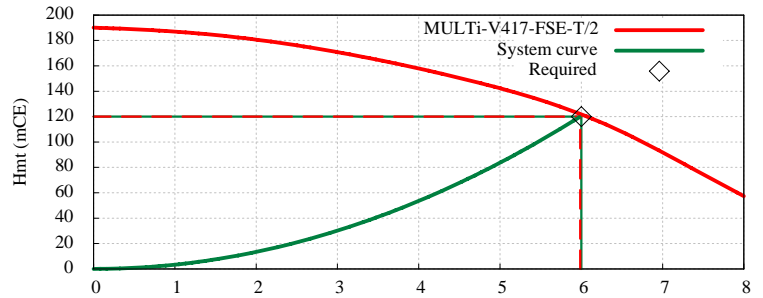


53 Bld. de la République
Espace lumière – Bat. : 6
78403 CHATOU CEDEX - FRANCE
Tél.: (33) 0820 873 624 – Fax : (33) 01.30.09.82.48
www.salmson.fr – service.conso@salmson.fr

JOCKEY PUMP

Customer :
Job Reference :
Quotation N° :
Ed. :
Item :

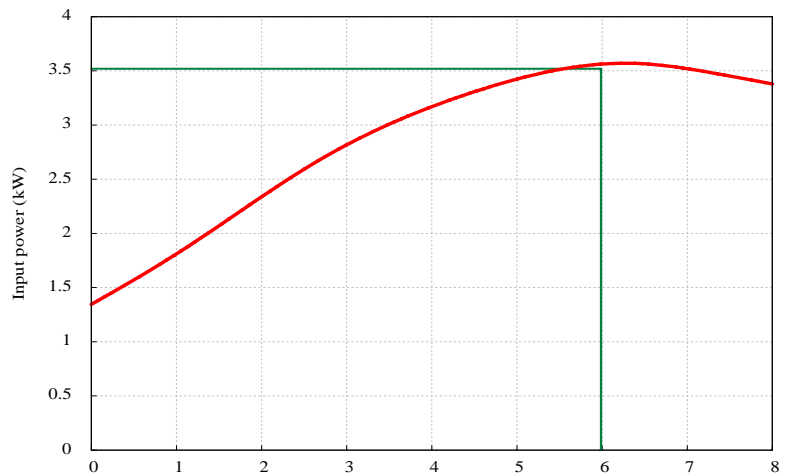


Characteristics requested :

Liquid	water
Temperature (°C)	30
Flow rate requested (m3/h)	6.00
Requested Head (mCE)	120.00
Operation	On load pump

Suggested characteristics :

Flow rate obtained (m3/h)	5.99
Calculated Head (mCE)	120.00
Efficiency	0.56
Input power (kW)	3.520
NPSH required (m)	1.64
NPSH Available (mCE)	0.00



Pump characteristics :

Assembly	In-line
Impeller	304 stainless steel
Cells	304 stainless steel
Pump casing	304 stainless steel
Pump shaft	304 stainless steel
Mechanical seal	Silicon carbide/Carbon/EP

Motor characteristics :

Motor Conception	Marellimotori
Motor power P2 (kW)	4.00
Speed (tr/min)	2900
Motor supply	230V Three phase/400V
Insulation class	F
Protection factor	IP 55
Current in 230 V single-phase (A)	
Current in 230 V Three phase (A)	13.50

Operating limits :

Number of stages	17
Nominal flow rate (m3/h)	4
Max. Pressure	25
Min. Temperature (°C)	-15
Max. temperature (°C)	120

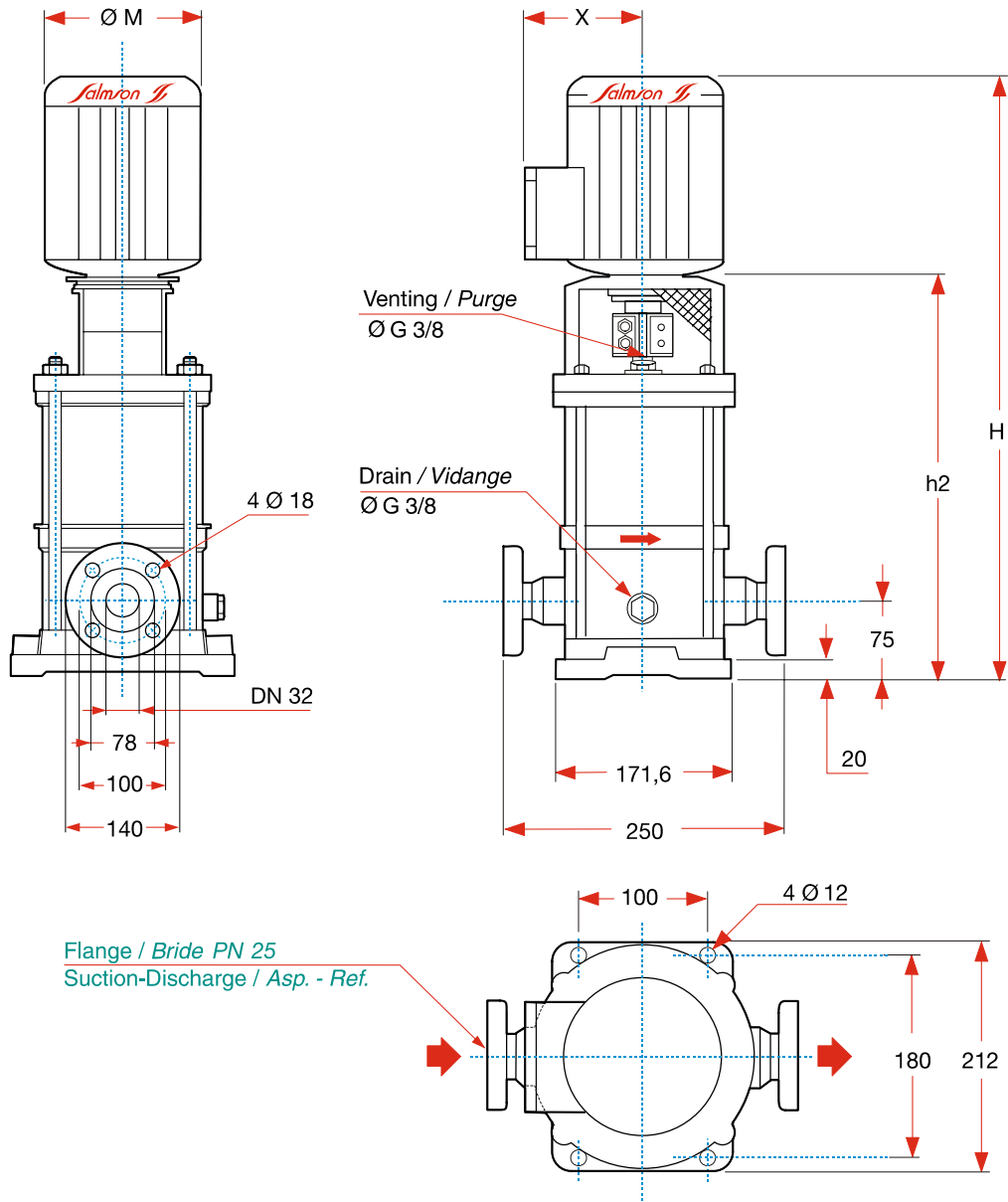
Norm :

EC declaration	EN 809
EMC compatibility	61000-6-2
EMC emission	61000-6-4

53 Bld. de la République
Espace lumière – Bat. : 6
78403 CHATOU CEDEX - FRANCE
Tél.: (33) 0820 873 624 – Fax : (33) 01.30.09.82.48
www.salmson.fr – service.conso@salmson.fr

Tél. :
Fax :
e-mail :

Customer :
Job Reference :
Quotation N° :
Ed. :
Item :



Dimensional characteristics :

H (mm)	M (mm)	X (mm)	h2 (mm)
1008	215	150	687.5

Mass (kg) 54.1
Suction - DN / Connection DN 32