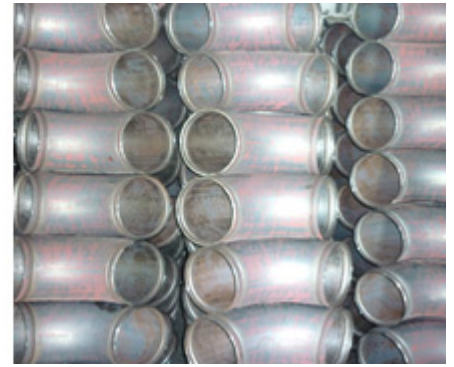
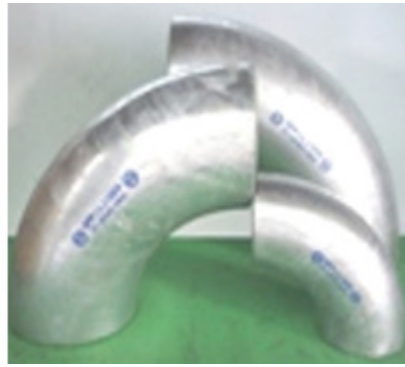
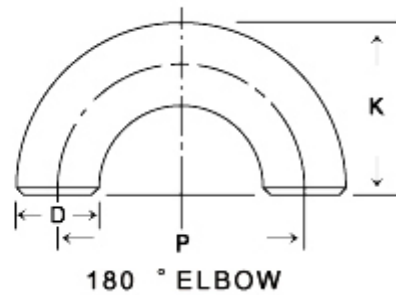
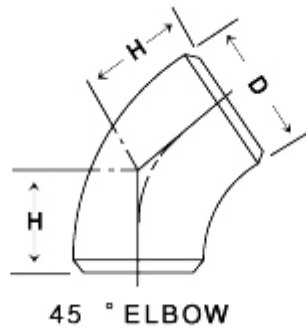
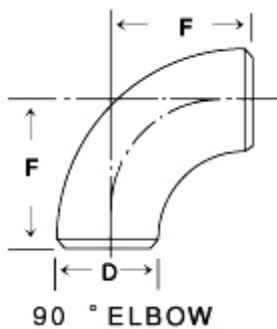


Co (Cút) hàn SPP / 90° & 45° - Tiêu Chuẩn KS / JIS / BS.



□ SIZE / ELBOW



KS/JIS

Unit:mm

Nominal Pipe Size (NPS)		Outside Diameter	Center to End		Center to Center		End to End		
			90° Elbow (F)	45 Elbow (H)	180° Elbow (P)	180° Elbow (K)			
A	B	D	Long	Shot	Long	Long	Shot	Long	Shot
15	½	21.7	38.1	-	15.8	76.2	-	49.0	-
20	¾	27.2	38.1	-	15.8	76.2	-	51.7	-
25	1	34.0	38.1	25.4	15.8	76.2	50.8	55.1	42.4
32	1¼	42.7	47.6	31.8	19.7	95.2	63.6	69.0	53.2
40	1½	48.6	57.2	38.1	23.7	114.4	76.2	81.5	62.4
50	2	60.5	76.2	50.8	31.6	152.4	101.6	106.5	81.1
65	2½	76.3	95.3	63.5	39.5	190.6	127.0	133.5	101.7
80	3	89.1	114.3	76.2	47.3	228.6	152.4	158.9	120.8
90	3½	101.6	133.4	88.9	55.3	266.8	177.8	184.2	139.7
100	4	114.3	152.4	101.6	63.1	304.8	203.2	209.6	158.8
125	5	139.8	190.5	127.0	78.9	381.0	254.0	260.4	196.9
150	6	165.2	228.6	152.4	94.7	457.2	304.8	311.2	235.0
200	8	216.3	304.8	203.2	126.3	609.6	406.4	413.0	311.4
250	10	267.4	381.0	254.0	157.8	762.0	508.0	514.7	387.7
300	12	318.5	457.2	304.8	189.4	914.4	609.6	616.5	464.1
350	14	355.6	533.4	355.6	220.9	1066.8	711.2	711.2	533.4
400	16	406.4	609.6	406.4	252.5	1219.2	812.8	812.8	609.6
450	18	457.2	685.8	457.2	284.1	-	-	-	-
500	20	508.0	762.0	508.0	315.6	-	-	-	-
550	22	558.8	838.2	558.8	347.2	-	-	-	-
600	24	609.6	914.4	609.6	378.7	-	-	-	-
650	26	98%·4	990.6	98%·4	410.3	-	-	-	-