

ATMOSPHERIC FOAM CONCENTRATE STORAGE TANK



TECHNICAL DATA :

STORAGE CAPACITY	200 to 12000 Ltrs.
MATERIAL OF CONSTRUCTION	Stainless steel or Carbon Steel with internal lining
EXPANSION DOME	2% of total tank capacity
FINISH	Fire red Epoxy painted
ORDERING INFORMATION	Please specify 1) Tank capacity 2) Material of construction of tank (Type of Lining if steel tank) 3) Site glass requirement 4) Ladder requirement 5) Finish



APPLICATION

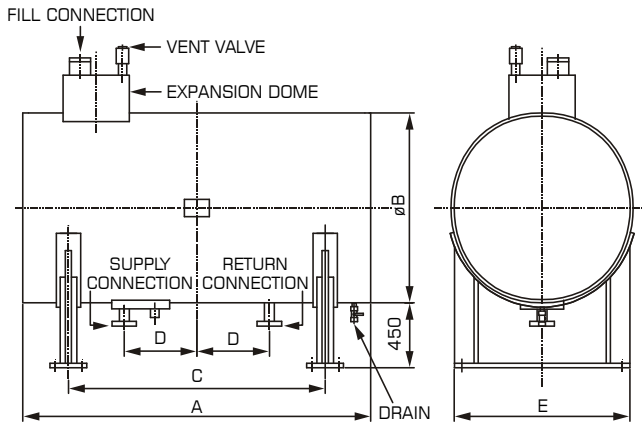
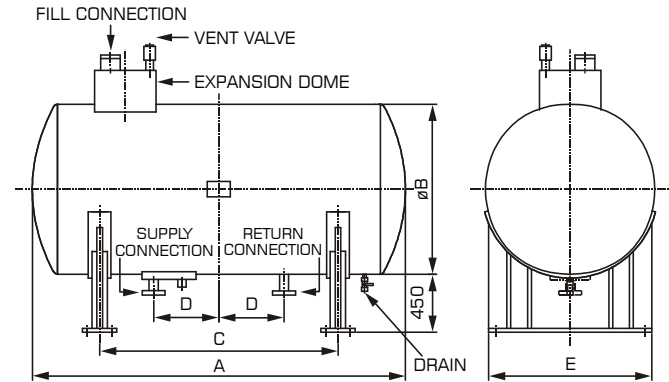
Atmospheric storage tanks are used with Inline Foam Inductor. Balance pressure foam proportioner and Inline Balance Pressure Foam Proportioning system.

SPECIFICATION

The atmospheric foam concentrate storage tank is made of stainless steel or steel material. The steel tanks can be provided with Thrmoplastic lining on inner surfaces.

For selecting the material of construction of the tank or internal lining, foam concentrate manufacturer must be consulted. All the tanks must be kept filled upto the level of half way of expansion dome.

The tank is provided with an expansion dome with a volume not less than 2% of the total capacity of the tank. The concentrate storage tank less than 380 Litres. (100 gal.) does not require an expansion dome. A sediment sump is provided at the bottom of the concentrate tank. The tank is provided with an inlet, an outlet, a drain connection and a fill connection. The suction and outlet connection is provided in the segment sump above the normal layer of sediment which may accumulate in the sump. The inlet or return and fill line is provided within 25mm of the tank bottom. This reduces the possibility of foaming when the liquid level is low. A pressure vacuum vent is provided on the top of the expansion dome. Ladder is provided for the tanks having 1500 litres capacity or more as optional.

TANK WITH FLAT ENDS

TANK WITH DISH ENDS

DIMENSION in millimetre (Approximate)

CAPACITY LITRES	A	B	C	D	E
500	1250	770	900	225	700
600	1500	770	1150	300	700
700	1750	770	1400	350	700
800	1350	925	1000	250	850
900	1500	925	1150	300	850
1000	1700	925	1350	350	850
1200	2000	925	1650	400	850
1400	2350	925	2000	500	850
1500	1850	1075	1500	375	1000
1600	1950	1075	1600	400	1000
1700	2150	1075	1800	450	1000
1800	2200	1075	1850	450	1000
1900	2300	1075	1850	450	1000
2000	2450	1075	2100	525	1000
2100	1900	1250	1550	400	1150
2200	2000	1250	1650	400	1150
2300	2100	1250	1750	450	1150
2400	2150	1250	1800	450	1150
2500	2250	1250	1900	475	1150
3000	2150	1400	1800	450	1250
3500	2450	1400	2100	525	1250

DIMENSION in millimetre (Approximate)

CAPACITY LITRES	A	B	C	D	E
4000	2500	1524	1400	350	1375
4500	2800	1524	1700	425	1375
5000	3100	1524	2000	500	1375
5500	3375	1524	2200	550	1375
6000	3650	1524	2600	650	1375
6500	3950	1524	2800	700	1375
7000	3050	1828	1800	450	1500
7500	3250	1828	2000	500	1500
8000	3450	1828	2200	550	1500
8500	3650	1828	2400	600	1500
9000	3850	1828	2600	650	1500
10000	3350	2100	2000	500	1850
10500	3450	2100	2200	550	1850
11000	3650	2100	2400	600	1850
11500	3750	2100	2400	600	1850
12000	3900	2100	2600	650	1850

NOTICE :

The equipment presented in this bulletin is to be installed in accordance with the latest publication standards of NFPA or other similar organisations and also with the provision of government codes or ordinances wherever applicable.

The information provided by us are to the best of our knowledge and belief, and are general guidelines only. Site handling and installation control is beyond our reach. Hence we give no guarantee for result and take no liability for damages, loss or penalties whatsoever, resulting from our suggestion, information, recommendation or damages due to our product.

Product development is a continuous programme of HD FIRE PROTECT PVT. LTD. and hence the right to modify any specification without prior notice is reserved with the company.